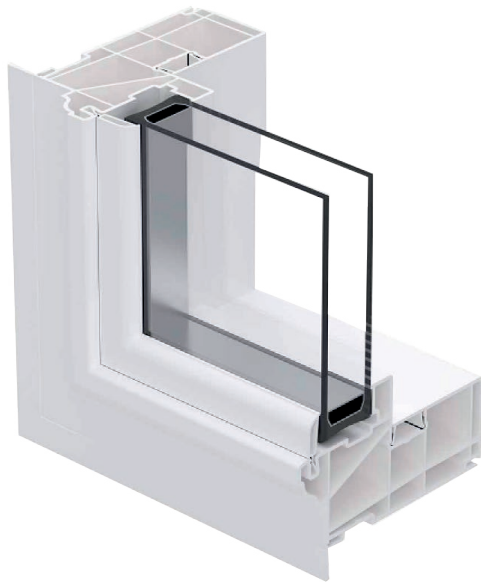


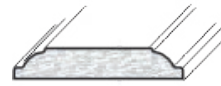
ES-V150

Fixed Window



Features

- Glass options:
 - 7/16" laminated glass
 - 1" insulating glass
 - 1" insulating laminated glass
- FBC Test: FL 42155
- Mullion options available
- Aluminum reinforced
- Standard colors available
- Muntin:



0.875" WIDE x 0.125" TALL

System Description

Minimum panel size	18 1/8" W x 25" H
Maximum panel size	59" W x 47" H
	35" W x 77" H
Frame depth	3.824"
Sightline	2.219" flush frame
	2.719" flange frame

Water infiltration



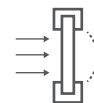
12 PSF.

Air infiltration



1.57 PSF.

Design load



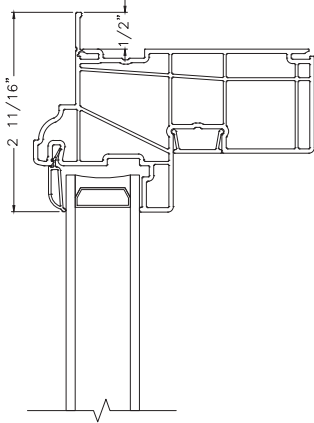
+80/-80 PSF.

ES-V150

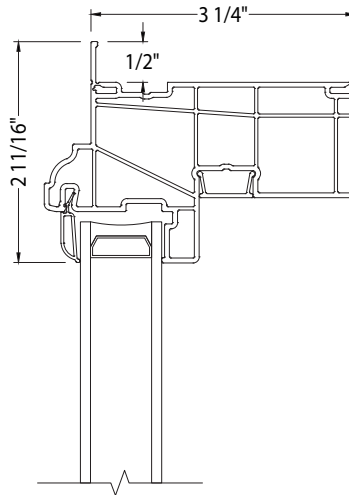


Fixed Window

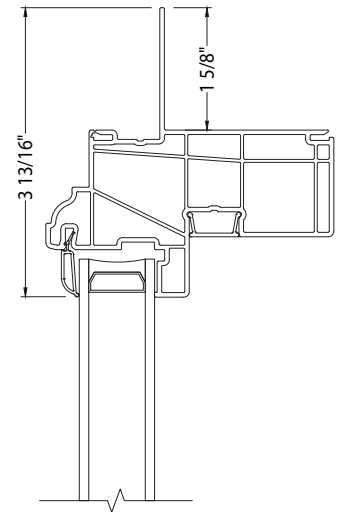
Configurations ES-V150



Flange Frame

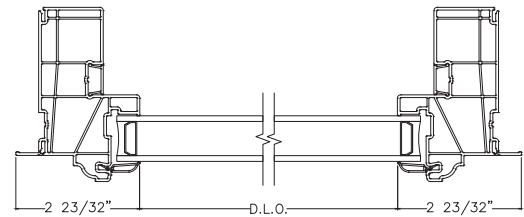
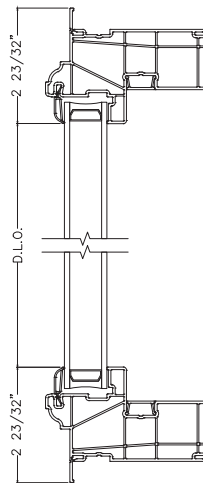
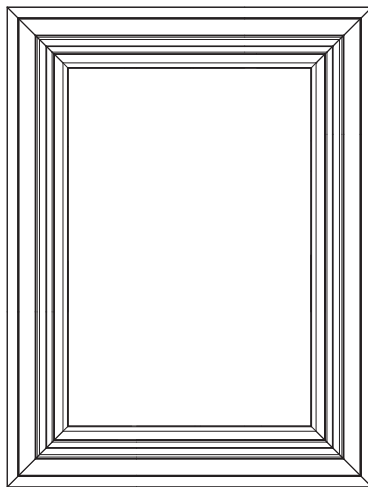


Flush Frame



Fin Frame

Details ES-V150



Accessories

Hardware Options

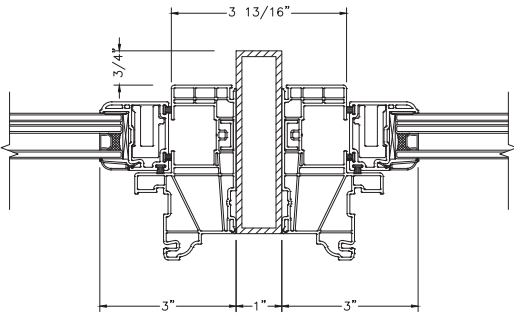


**Crack Handle - Arm Operator
(V500/550)**



**Sash Lock
(V100/200)**

Aluminum Mullion



Service

Our engineers and designers provide customers with ongoing assistance and technical support to ensure the best solution for every project.

We offer professional guidance to help customers pinpoint and balance their priorities. With this expert assistance, customers can plan and complete projects to achieve maximum benefits.

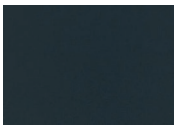
Colors & Finishes

Standard color

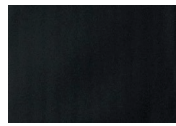


White

Custom Colors & Laminate Foils (Coming soon)



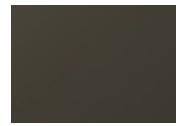
Anthracite Grey
7016 Smooth 2



Black Smooth 2



Ceylon C-34 N
Smooth



Flemish Gold
C-33 N Smooth



Golden Oak

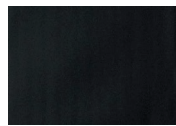


Trompet C-32 N
Smooth

Hardware Colors



Bronze



Black



White

Engineering and Design

We offer the right solution for the most complex projects, and respond efficiently to the demands of architects. We can deliver reliable, efficient and affordable products, due to a combination of advanced software technology and a leading team of expert engineers and designers, who specialize in windows, doors, glass and aluminum systems.

The UPVC line provide customers the perfect combination of reliability, design and performance across a wide range of product types. It also provides the perfect performance solution, without sacrificing aesthetics.